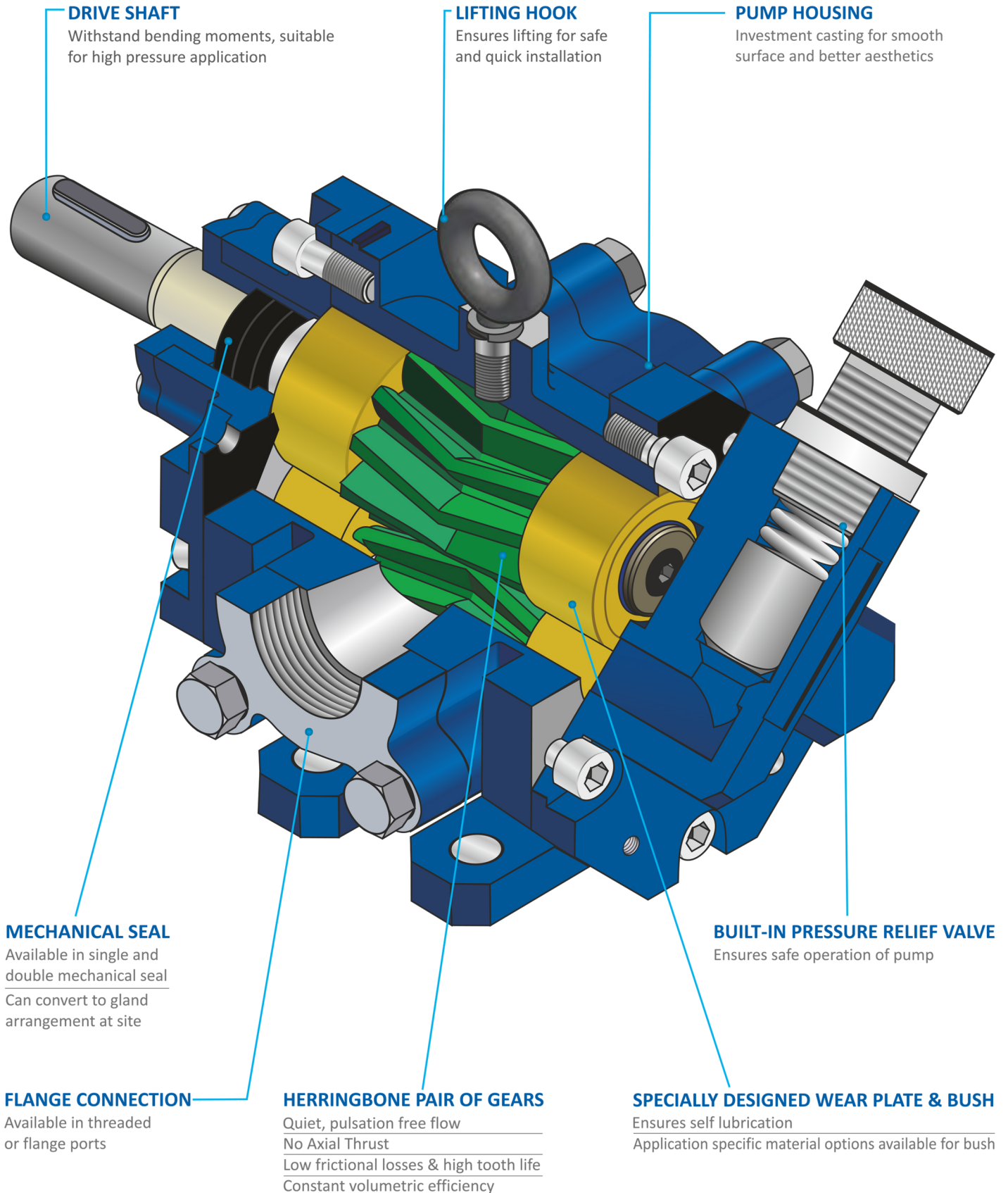


EXTERNAL
GEAR PUMPS



EXTERNAL GEAR PUMPS

ROTO's external gear pump with its innovative design is compact, efficient and ensuring longer service life. The pumps can be used for versatile applications and are available in various material options.



MATERIAL OF CONSTRUCTION

Casing & Covers	: Cast Steel / SS 304 / SS 316 / SS 316L / Duplex Steel / LCB / Titanium
Shaft	: EN-9 / SS 431 / SS 316 / SS 316L / Titanium
Gear	: EN-353 / SS 431 / SS 316 / SS 316L / Titanium
Bearing	: Bronze Bush / Teflon Coated DU / White Metal / Peek / Ball Bearing ZZ / Needle Roller Bearing
Sealing	: Oil Seal / Gland Ring / Single Mechanical Seal / Double Mechanical Seal

PERFORMANCE OVERVIEW

Port size	: 3/4" - 6"
Flow	: 0.75 m ³ /hr - 120 m ³ /hr
Pressure	: Upto 11 bar ⁺
Viscosity	: Upto 1,00,000 cSt
Temperature	: Upto 300°C
Configuration	: Horizontal Foot Mounted ^{**}
Connection	: Available in BSP & NPT
Flange	: Available as per ISO, DIN, ANSI

⁺Also available for higher pressure applications.

^{**}Also available in Vertical configuration/ Flange mounted.

APPLICATIONS

- Lubricating Oil • LDO • HSD • Fuel Oil • Hydraulic Oil • Fish Oil • Animal Oil • Vegetable Oil • Sugar • Molasses
- Syrups • Pulp • Lime • Butter • Ink • Paint • Adhesives
- Polymers • Liquid Soap • Glycerine • Glycol • Bitumen
- Asphalt

OEM SECTORS

- Centralized Lubricating System • Pumping and Heating System • Oil Filtration and Cleaning System
- Transformer Oil Purification System • Process Industries • Filtration Equipment • Fire-Foam Systems • Hydraulic Systems • Hot Oil Circulation Systems

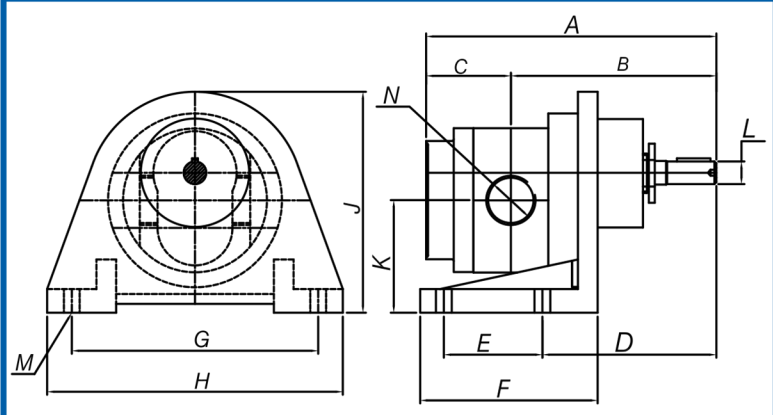
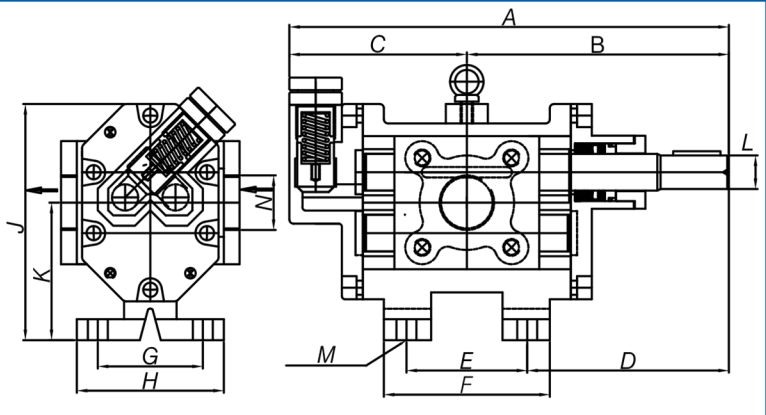
PERFORMANCE SUMMARY

R- Series			
Pump Model	Port Size (Suc. X Del.)	Capacity	
		LPM	US GPM
075 / 076	3/4"	13 / 16	3.3 / 4.4
100 / 101	1"	25 / 33	6.6 / 8.7
125 / 126	1-1/4"	60 / 75	16 / 20
150 / 151	1-1/2"	100 / 125	26 / 30
200 / 201	2"	150 / 200	40 / 53
250 / 251	2-1/2"	250 / 300	66 / 79
300 / 301	3"	415 / 450	111 / 118
400 / 401	4"	600 / 750	158 / 197
500 / 501	5"	1000 / 1335	263 / 351
600 / 601	6"	1611 / 2050	451 / 542

H- Series			
Pump Model	Port Size (Suc. X Del.)	Capacity	
		LPM	US GPM
25	1/4"	8.3	2.2
40	3/8"	16.6	4.4
50	1/2"	25.0	6.6
75	3/4"	33.3	8.8
100	1"	50	13.2
125	1-1/4"	100	26.4
150	1-1/2"	125	33.0
200	2"	150	39.6
200	2"	200	52.8
250	2-1/2"	300	65.0
250	2-1/2"	350	80.0

R SERIES

H SERIES



R SERIES

MODEL	A	B	C	D	E	F	G	H	J	K	L	M	N
075 / 076	204	126	78	110	32	55	50	80	115	69	Ø12	4 x Ø12	3/4"
100 / 101	232	140	92	120	40	70	60	90	130	74	Ø15	4 x Ø12	1"
125 / 126	283	168	115	138	60	90	75	110	150	80	Ø21	4 x Ø12	1-1/4"
150 / 151	315	187.5	127.5	155	65	95	80	115	165	89.5	Ø24	4 x Ø15	1-1/2"
200 / 201	351	210	141	172.5	75	112	95	130	192	106	Ø27	4 x Ø15	2"
250 / 251	429	260	169	202	115	158	100	140	225	131	Ø32	4 x Ø19	2-1/2"
300 / 301	511	291	220	221	140	180	130	170	260	145.5	Ø37	4 x Ø19	3"
400 / 401	580	344	236	266.5	155	205	140	190	290	160	Ø47	4 x Ø19	4"
500 / 501	645	376	269	278.5	195	245	170	220	325	179	Ø52	4 x Ø22	5"
600 / 601	690	402	288	289.5	225	275	190	240	360	190.5	Ø57	4 x Ø22	6"

H SERIES

MODEL	A	B	C	D	E	F	G	H	J	K	L	M	N
025	128	93	35	91	40	90	120	140	101	50.5	Ø11.5	4 x Ø8	1/4"
040	134	98	36	88	50	90	120	140	112	57	Ø11.5	4 x Ø8	3/8"
050	146	103	43	88	50	90	120	140	112	57	Ø11.5	4 x Ø8	1/2"
075	160	114	46	100	55	100	130	155	123	63	Ø14	4 x Ø10.5	3/4"
100	175	121	54	96	55	100	140	180	128	73	Ø14	4 x Ø10.5	1"
125	210	143	67	114	50	100	138	180	139	69	Ø14	4 x Ø12	1-1/4"
150	225	151	74	114	50	100	153	195	149	79	Ø18	4 x Ø12	1-1/2"
200	255	167	88	126	70	120	190	230	167	87	Ø24	4 x Ø14	2"
200	285	185	100	131	70	120	190	230	167	87	Ø24	4 x Ø14	2"
250	301	206	95	156	85	150	200	260	197	102	Ø28	4 x Ø16	2-1/2"
250	323	218	105	156	85	150	200	260	197	102	Ø28	4 x Ø16	2-1/2"

All dimensions are in mm



ROTO PUMPS LTD.

Regd. & Marketing Head Office

Roto House,13, Noida Special Economic Zone, Noida - 201305, U.P., INDIA
 Tel.: +91 120 2567902-5 Fax: +91 120 2567911
 Email: contact@rotopumps.com
 CIN: L28991UP1975PLC004152

Branch Offices & Warehouses

United Kingdom

Unit 1 St Elizabeths Park, Grey Street, Denton, Manchester, M34 3RU
 Tel.: +44 161 4775511 Fax: +44 161 4747900
 Email: sales@rotopumps.co.uk

Australia

26, Deans Court, Dandenong South, Victoria 3175
 Tel.: +61 3 97945200 Fax: +61 3 97945900
 E mail: sales@rotopumps.com.au

www.rotopumps.com

Subsidiaries

Roto Pumps North America, Inc.

5889 S Garnett Rd. Tulsa, Oklahoma 74146
 Tel.: +1 918 280 9144, Fax: +1 918 806 6853
 Email: info@rotopumpsna.com

Roto Pumps Africa (Pvt.) Ltd.

3, Sun Rock Close Germiston 1401, Africa
 Tel.: +27 10 100 3774
 Email: sales@rotopumps.co.za

Roto Pumpen GmbH

.nehm-coll. Rechtsanwälte
 Grafenberger Alle 277-287
 40237 Duesseldorf, Germany
 Email: info@rotopumps.com